

DRAWER PULLS FOR MEDICAL FURNITURE



INJECTED ABS FRONTS



Create a harmonized look for your medical furniture



Procedure/Medication carts

Mobile storage carts

Fixed cabinets

Improve ergonomics

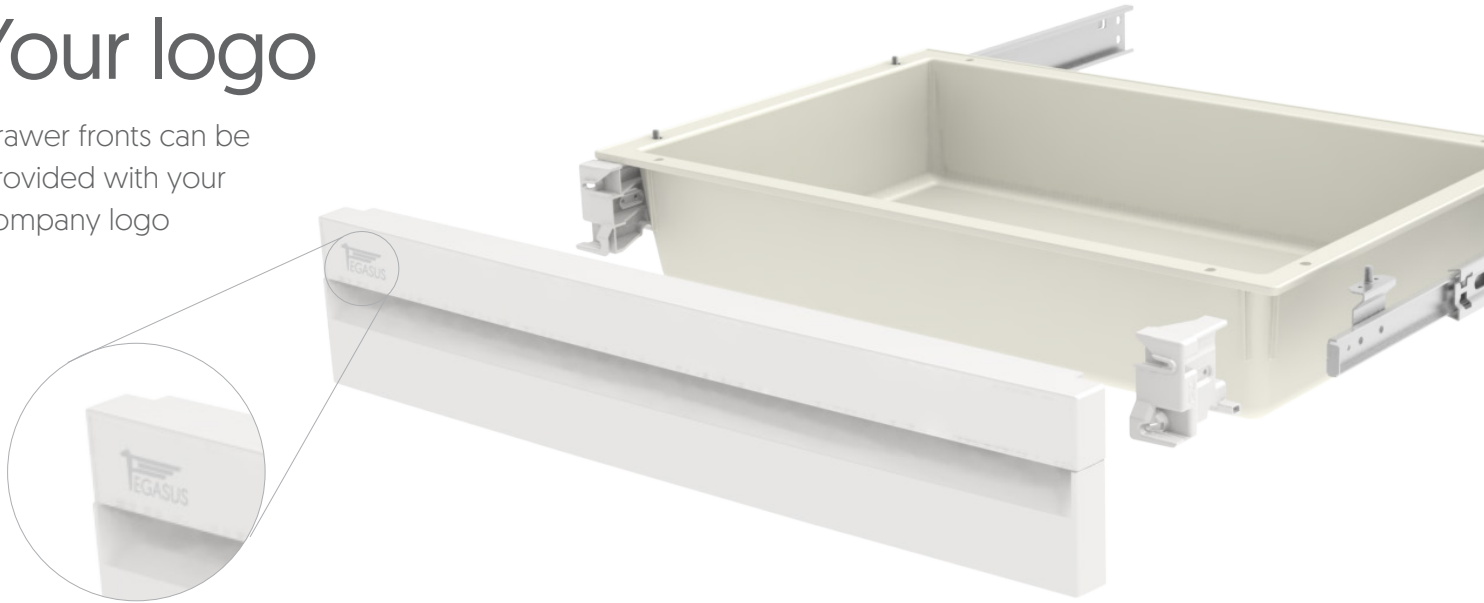
Draw fronts enable a full width grip



& Emphasize your own branding

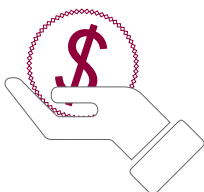
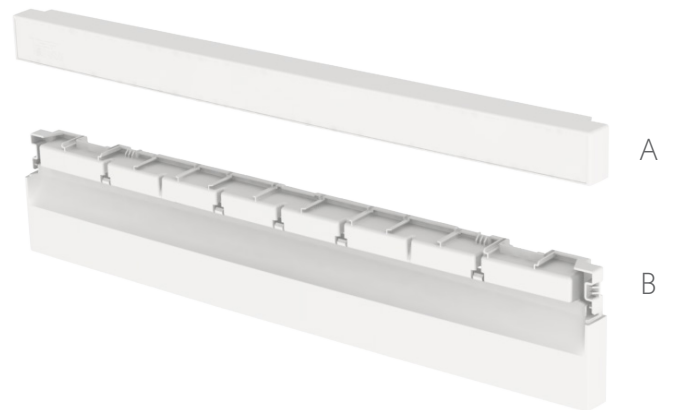
Your logo

Drawer fronts can be provided with your company logo



Use your company's branding colors

Each front comprises of 2 parts.
Each part can be injected with your desired color



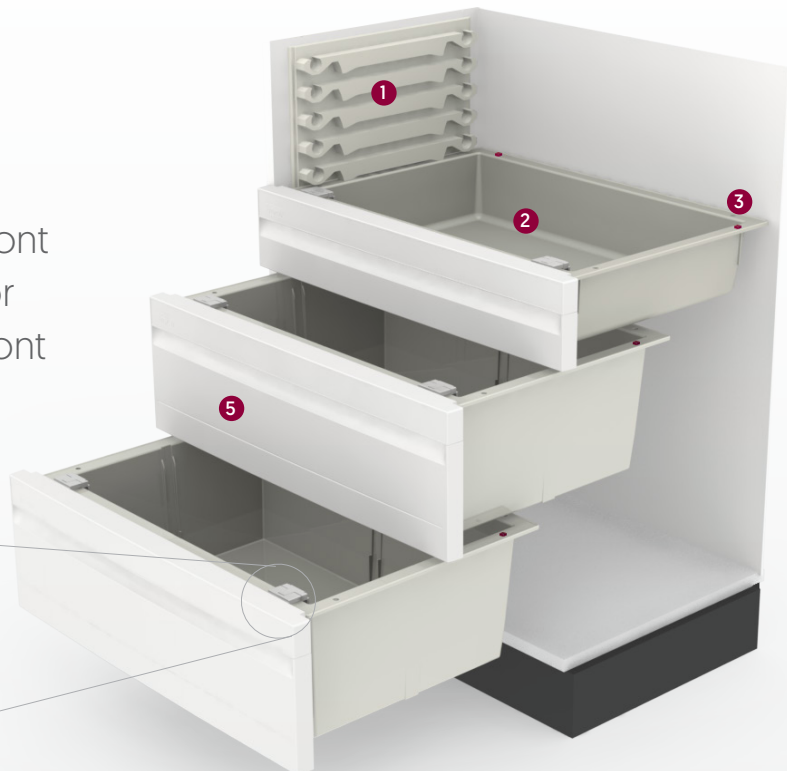
Reduce costs

Use injected fronts to avoid production of expensive HPL or coated parts

TILT PANEL COMBINATION

Drawer fronts can be connected to the ISO tray/basket, using Pegasus ABS side panels

- 1. Tilt panel
- 2. Tray/basket
- 3. Basket stop
- 4. Drawer front connector
- 5. Drawer front



TELESCOPIC SLIDES COMBINATION

Drawer fronts can be installed with telescopic slides

- 1. P-rail
- 2. Tray/basket
- 3. Telescopic slides
- 4. Drawer front connector
- 5. Drawer front

