

ECOLINE ERGONOMIC PUSH HANDLE



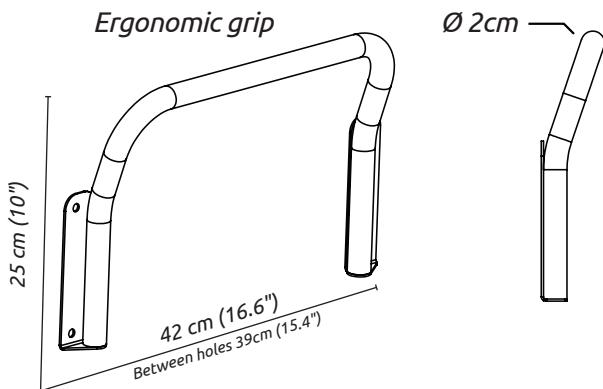
Medical teams often suffer from occupational damages due to long working hours. Any effort to improve usage using ergonomic solutions, reduces occupational damages, and contribute the wellbeing of the medical staff

The new push handle is designed to provide better grip, better back position and better control over the cart, while pushing it in corridors

✓ **EASY TO CLEAN**
Using a damp wipe

✓ **STRONG GRIP**
Safe and fast transportation in an emergency

✓ **BACK FRIENDLY**
Ergonomically design and perfect Height position



Technical data:

Material: Powder coated steel
Color: Light gray (RAL 7035)
Size: 25X42 cm (10X16")
Diameter: Ø 2cm
Quantity: 10 Pcs/bx
Item number: CRTA-STPH-MK-NM

Addition to height by type top:

Type Top :	Height addition
Type E Standard Working surface	4 cm (1.6")
Type E gallery top	1.7 cm (0.7")
Type E Gallery top & side shelf	No height addition
Small footprint gallery top	1.5 cm (0.6")
Small footprint gallery top & side shelf	No height addition