

# ROLL STAND

FOR WELCH ALLYN  
CONNEX® SPOT  
MONITOR



## A NEW ROLL STAND FOR THE WELCH ALLYN CONNEX® SPOT MONITOR DEVICE AT AN **EXTREMELY COMPETITIVE PRICE**, AVAILABLE IN EUROPE FOR QUICK DELIVERY

A new lightweight maneuverable roll stand specially designed for the Connex® Spot Monitor provides a quality roll stand at a competitive price.

The roll provides either, fixed angle positioning, or extremely ergonomic tilt adjustment for the convenience of the medical staff. A rigid polycarbonate transparent accessories tray, barcode holder and a designated holder for Connex® Spot Monitor power supply unit

**Item Number: RSB-CNX**

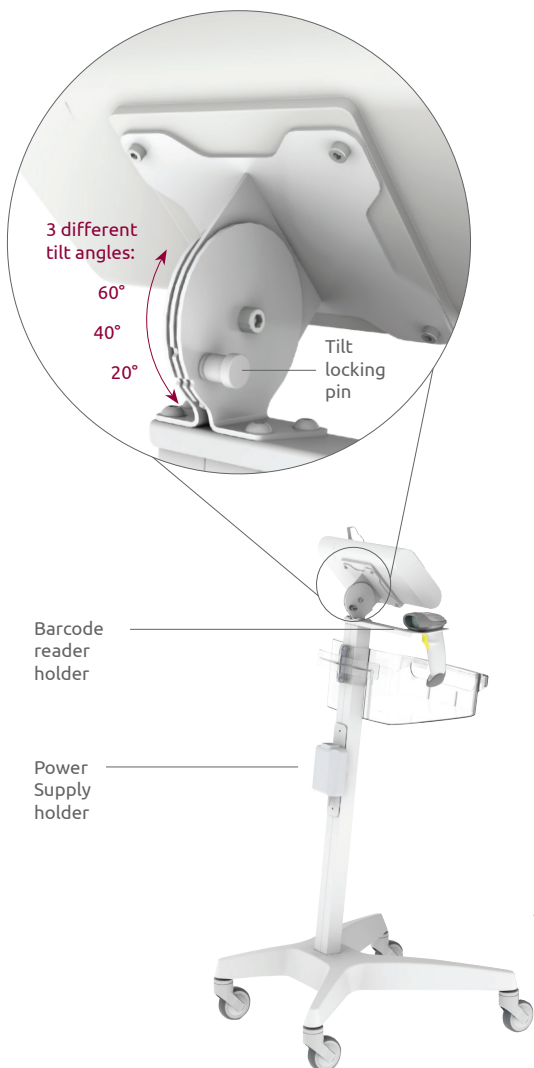


Clear storage basket with push handle  
(Height from floor to handle 78.5cm (31"))

107.3cm (42.3")

54.2cm (21.4")

52.8cm (20.8")



3 different tilt angles:  
60°  
40°  
20°

Tilt locking pin

Barcode reader holder

Power Supply holder

