

IV SOLUTIONS

**DEDICATED IV SOLUTIONS FOR EVERY
NEED, EVERYWHERE IN YOUR HOSPITAL!**





PEDIATRIC



Colorful and made to
fit children heights

MOBILE TRANSFER



Bedside mobility cart to carry
all essentials point of care
tools with the patient

HOW DO YOU CHOOSE AN IV POLE?

In a sea of many IV poles, how do you choose one that fits your needs? We meticulously curated a selection ranging from versatile classic models to specialized solutions to meet all your hospital's needs, empowering you to provide optimal care with confidence.



**BEST
CLASSIC**



Can be used in various departments for different types of patients and treatments

**FAST
RESPONSE**



One-hand adjustment makes this ideal for emergency response and the O.R.

ELEVATE A CLASSIC WITH OUR HIGH-QUALITY STANDARD

Not all IV Poles are created equal. Our premium craftsmanship makes your everyday classic more durable and user-friendly, versatile enough to meet the demands of both hospital use and daily care

✓ USER-FRIENDLY

Comfortable height adjustment with a screw mechanism and integrated clamping element

✓ CLEAN WORK ENVIRONMENT

Maintain a zen atmosphere with no black streaks on the floor or clutter, thanks to our elegant design

✓ TOP-OF-THE-LINE ENGINEERING

Quality materials, beautiful finishes, attention to detail, and impeccable quality control define our German-engineered products



High-Gloss Chrome-Plated 3-Layer-System



DIN EN 60601



Suitable for Electro-Medical Devices



DIN ISO 15375



High Quality Easy to Change Double Castors

Optional accessory:



PUSH HANDLE

Ergonomic form - comfortable and easy to handle and to grip
IVP-ACC-PH

Item Number:
IVP-SHA-CH

IV-POLES FAST RESPONSE



ONE HANDED INSTANT HEIGHT ADJUSTMENT!

When every second counts, our IV Pole is your ultimate solution. With fast and easy one-hand height adjustment, impeccable engineering, and an easy to clean design, it supports you in critical moments

✓ FAST & EASY

One-Hand adjuster to set the height and position, useful in emergency situations or when only one hand is free

✓ EZ CLEAN

Clean it easily from top to bottom in one swipe with no barriers

✓ TOP-OF-THE-LINE ENGINEERING

Quality materials, beautiful finishes, attention to detail, and impeccable quality control define our German-engineered products



Min 135 cm / 53.2"
Max 215 cm / 84.7"



Rust Free
Stainless
Steel



DIN EN
60601



Suitable for
Electro-Medical
Devices



DIN ISO
15375



High Quality
Electrically
Conductive
Double Castors

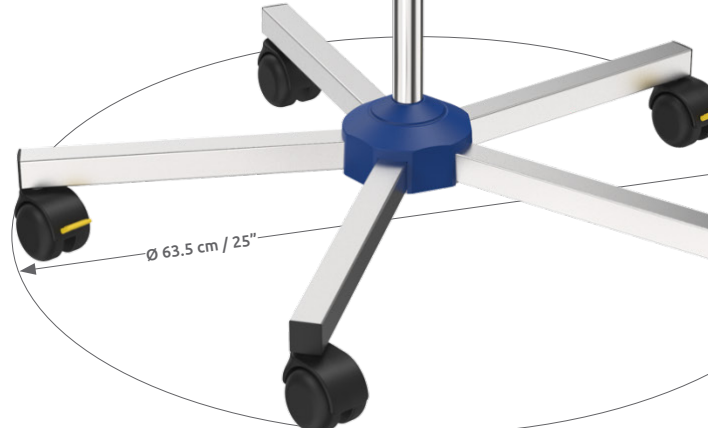
Optional accessory:



PUSH HANDLE

Ergonomic form - comfortable
and easy to handle and to grip
IVP-ACC-PH

Item Number:
IVP-OH-SS



Ø 63.5 cm / 25"

V240811



HIGHEST QUALITY IN A PLAYFUL PACKAGE

Studies show treatment space design significantly impacts recovery rates. Our children's IV Pole, designed to look like a colorful toy, creates a comforting environment that reduces anxiety and promotes faster healing. Enhance your pediatric care with our innovative approach

✓ CHILD-FRIENDLY

Designed for pediatric patients with appropriate height and scale, our colorful, engaging equipment creates a less intimidating environment

✓ CHILD-SAFE

Smooth plastic finishes prevent injuries, and a wider base enhances stability, making tipping harder

✓ TOP-OF-THE-LINE ENGINEERING

Quality materials, beautiful finishes, attention to detail, and impeccable quality control define our German-engineered products



Lightfast Material



DIN EN 60601

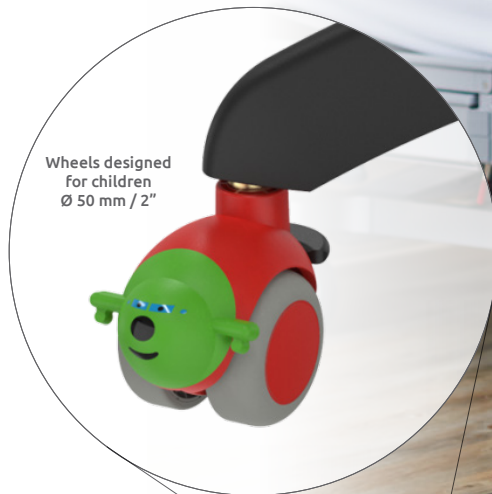


DIN ISO 15375



Only for Gravity Infusion

Item Number:
IVP-PED-R



Wheels designed for children
Ø 50 mm / 2"

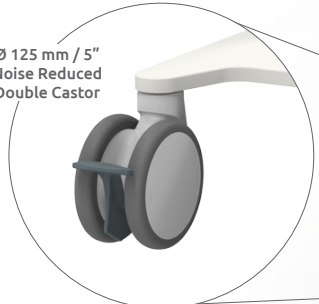
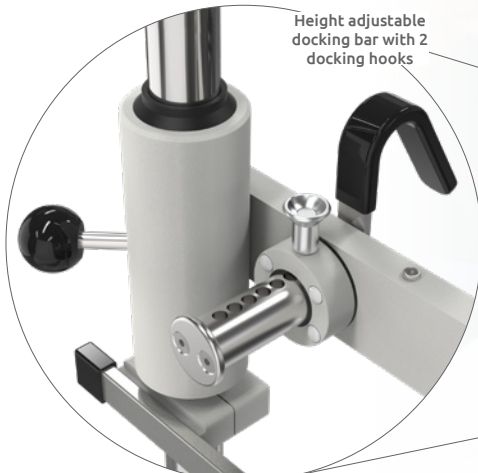
Optional accessory:



PUSH HANDLE

Ergonomic form - comfortable and easy to handle and to grip
IVP-ACC-PH





Item Number: **IVP-MTC-SS**



High Load Capacity



Customizable



DIN EN 60601

Optional accessories:



MEDICAL RAIL DOUBLE-SIDED

IVP-MTC-ACC-DR



MEDICAL RAIL

IVP-MTC-ACC-SR



MULTIPURPOSE BASKET

IVP-MTC-ACC-BSKT

IV-POLES MOBILE TRANSFER CART

NO MORE EQUIPMENT CLUTTERING ON THE PATIENT!

Enhance patient comfort and dignity by keeping equipment off their bed. It also minimizes disconnection risks during transfers by ensuring all medical devices travel securely with the patient, providing safety, stability, and accessibility—even in elevators

✓ **DIGNITY & CARE**

Don't use your patient's bed to carry medical devices. Treat patients with respect and ensure uninterrupted care during transfers

✓ **SAFETY**

Prevent lines and device cords from tangling or disconnecting during transport for stable patient care

✓ **QUALITY & DESIGN**

Designed to fit in elevators alongside your patient's bed, this IV mobile transfer unit is crafted from high-quality materials and features elegant finishes

